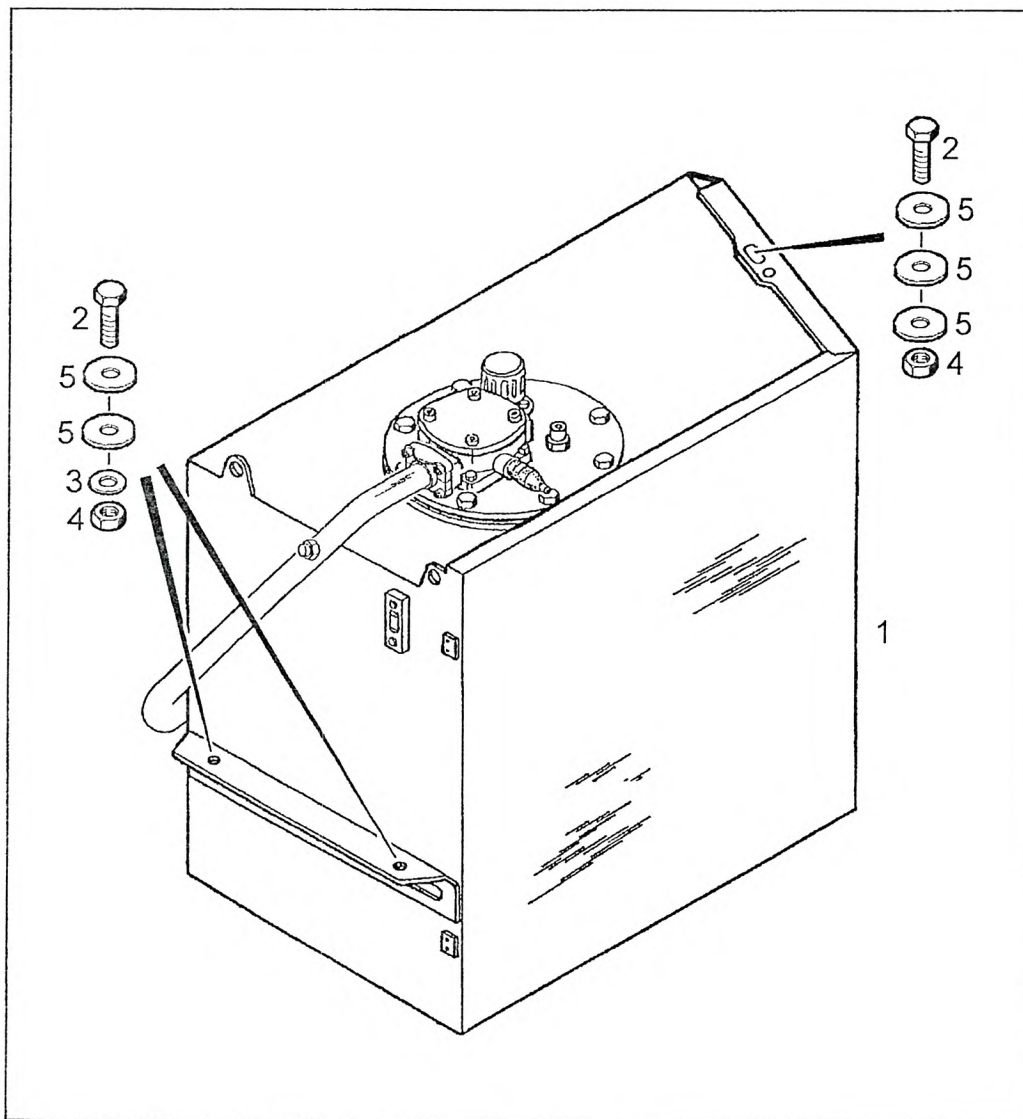


OIL RESERVOIR INST
 OELBEHAELTER-EINBAU
 RESERV D HUILE ASS

997-077-65671

Figure
 Bild 7765671
 Figure

3222-01



Item Pos. Réf	Part No. Teil-Nr. Pièce No	Designation Benennung Désignation	all alle tous	Qty/assy Stck/Variante Pièce/ensemble								Figure Bild Figure	
				A	B	C	D	E	F	G	H		
1	997-077-65664	OIL RESERVOIR ASSY OELBEHAELTER-KPL RESERVOIR D HUIL CPL	1										3222-02
2	997-000-56637	HEX BOLT M16x55 6KT-SCHRAUBE VIS HEXAGONALE	-	3	-								
2	997-000-28729	HEX BOLT M16x45 6KT-SCHRAUBE VIS HEXAGONALE	-	-	3								
3	997-014-21902	DISK 17 SCHEIBE DISQUE	-	6	2								
4	997-084-75940	LOCK NUT M16 SICHERUNGSMUTTER ECROU DE SURETE	3										
5	997-077-37203	DISK 17/42x15 SCHEIBE DISQUE	-	3	-								
5	997-007-25251	DISK 17 SCHEIBE DISQUE	-	-	7								

Variants / Varianten / Variantes

Chassis No.		Vehicle Variant
from	WFN5 RTP N7 .4090001	all+A
up to	WFN5 RTP N7 .4090020	
from	WFN5 RTP N7 .4090021	all+B
up to		